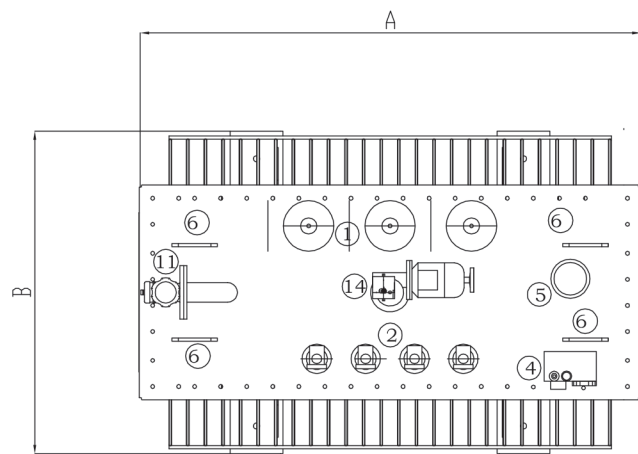
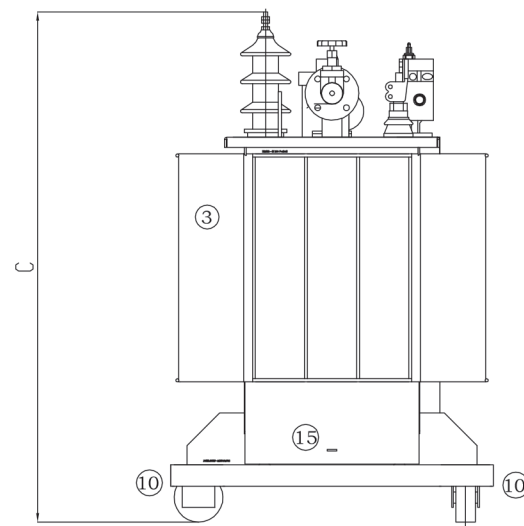
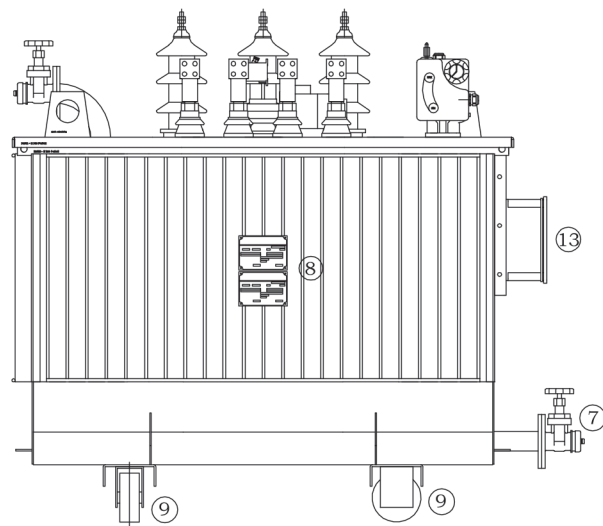


AND MAY BE NOT REPRODUCED OR RELEASED TO THIRD PARTIES WITHOUT WRITTEN AUTHORIZATION

THIS DRAWING IS PROPERTY OF WS TEST SYSTEM.



1. H.V. BUSHINGS 24-250 + n°1 NEUTRAL BUSHING 24-250
2. lv BUSHINGS
3. CORRUGATED WALLS
4. DGPT2
5. FILLING DEVICE
6. LUGS FOR LIFTING
7. DRAIN AND SAMPLING VALVE
8. NAME AND RATING PLATE
9. BI DIRECTIONAL WHEELS
10. HOOKS FOR HORIZONTAL TRACTION
11. TOP FILTER VALVE
12. TOP FILTER VALVE
13. AUX BOX
14. MOTOR DRIVE UNIT
15. GROUNDING TERMINALS

A = FROM 900 TO 1700 mm
 B = FROM 600 TO 1250 mm
 C = FROM 1400 TO 2400 mm

TOTAL WEIGHT FROM 0,9 TO 9 TONS
 OIL WEIGHT FROM 0,3 TO 2,5 TONS

							DRAWING NUMBER	
1							TITLE Shield Stabilised transformer from 60 to 3000 kVA	
0	ISSUE	CASTOLDI	PASSANTE	MORETTI	CASTOLDI	24-06-2017	JOB N° AC 20170720 02 00	
REV.	DESCRIPTION	BY	CHKD	APPD.	QUALITY	DATE		

Castoldi-Moretti srl



ARH DWG NO.	FILE:	DWG. N°		
WORKS	REV.	AREA	ELEC. FUNC.	SHT. 1
		SCALE 1: -		N.SHT. 1
				F. A4